



LEEDS

PRECISION INSTRUMENTS

Product Catalog



Microscope accessories, bases, stands, lighting, mounts & tables

Table of Contents

Part Number	Description	Page #
STANDS		
LMS-100	Complete Boom stereoscope stand	4
LMA-036A	Drop prevention collar	5
LMS-150	Heavy boom base & 24" column	5
LMS-197	14" Vertical column with table clamp	5
LMS-197K	C-Clamp Mount with Articulating arm	5
LMS-198	14" Vertical column with flange mount	5
LMS-198-24	24" Vertical column with flange mount	5
LMS-200	Boom base & 14" column	5
LMS-200B	Extra Weight for LMS-200 Boom Stand	5
LMS-200-24	Boom stand base & 24" column	5
LMS-300	Articulating boom arm - double jointed fold away design	5
BASES		
LMS-340LED	BF/DF transillumination LED base	6
LPI-S-0204	400mm pillar	6
LMS-SZX-R	Drop prevention collar	6
LMS-EHR2	Ergo head riser	6
LMS-LEDS	LED Spot Illuminator	7
LMS-LEDS-3	Mounting Adapter for LMS-340LED with Olympus 32mm post	7
LMS-225LEDSL	LED Transmitted Light Base	7
LMS-225ZEPLT	Top Mounting plate for LMS-225LED	7
LMS-LEDS	LED Spot light only for LMS-225LED	7
LMS-LEDSK	LED Spot light kit, including base, arm & power control	7
LMS-LEDS-2	Mounting adapter for Olympus SZ2-ST stand	7
LMS-LEDS-4	Mounting adapter for LMS-225LEDSL -Accu-Scope	7
LIGHTING		
LRL-410	High clearance ringlight - 4-ft length	8
LMA-060	Thread adapter	8
LMA-061	Ferrule for Dolan Jenner 180	8
LMA-063	Ferrule for Fostec	8
LMS-LEDS	LED Spot Illuminator	9
LMS-LEDSK	LED Spot Illuminator Kit	9
LMS-LEDS-2	Mounting Adapter for LMS-225LEDSL with Olympus SZ2-ST Stand	9
LMS-LEDS-3	Mounting Adapter for LMS-340LED with Olympus 32mm post	9
LMS-LEDS-4	Mounting Adapter for LMS-225LEDSL with Accu-Scope	9
LMS-LEDFO	5700K LED Light Source	10

Part Number	Description	Page #
ACCESSORIES		
LBX-FOMET	Fiber optic lamphouse adapter	11
LPI-U-UCLH	Collector lens assembly	11
LCT-UPOL-SL	6-U310 Condenser and Slider modification	12
LPI-UVCHLR	Universal C-Shaped Holder	13
LPI-UVHLB	Universal HOlder, large bore	13
LPI-EAR.25	1/4" x 13 1/2" x 15" Anti-vibration pad	14
MOUNTS		
LMA-058	Inclination joint kit	15
S-02662M	With LMA-058 Installed	15
LMS-300BIFO	Mount for A08520 to LMS-300	16
LMS-350SZ	Retractable Arm for the bonder mount	17
LMS-350SZX	Retractable Arm for the stereoscope	17
TABLES		
LBX-02HTBL-1	26x42 Dual View scope table	18
LBX-05HTBL-H	Microscope Table H Design	19
LBX-10HTBL-H	10 Headed Microscope Table H Design	20
LBX-10HTBL-B2	10 Position Microscope Table, Straight Design	21
LBX-18HTBL-2PCS	18 Head Microscope Table, 2 pc	22
LCT-TBLB	26" x 28" Motorized Table	23

Complete Boom Stereoscope Stand



LMS-100

The LMS-100 is used where wide horizontal and/or tall vertical viewing is needed. The LMS-100 is weighted and rigid with no need for a counter balance. The vertical column is 15 3/4" tall and is made of solid, nickel plated steel. When measured from the center of column to center of the field of view of a stereoscope, the horizontal arm has a 22 3/4" reach. The arm has a flat surface to prevent accidental rotation of the stereoscope body, and a drop prevention collar secures the vertical height of the stereoscope above the work surface - eliminating any accidents if you swing the horizontal arm to another position. The arm is designed to hold a bonder style focus mount with a 5/8" diameter post mount. The base is 1" x 10" x 10" steel.

To configure a stand that will meet your specific needs, please see our line of modular components described on page 5.

LEEDS

Product Catalog
 1-800-444-5333 | 763.546.8575 | Fax: 763.546.4369
 sales@leedsmicro.com | www.leedsmicro.com

Leeds' Custom Boom Stand Components for Stereo Microscopes



For a complete boom stand you will need:

- 1) Column assembly
- 2) Drop prevention collar
- 3) Arm assembly

Part #	Description
LMA-036A	Drop prevention collar
LMS-150	Heavy boom base & 24" column (2" x 10" x 16", 105 lbs total weight)
LMS-197	16" Vertical column with table clamp
LMS-197-24	24" Vertical column with table clamp
LMS-197K	C-Clamp mount with articulating arm
LMS-198	14" Vertical column with flange mount
LMS-198-24	24" Vertical column with flange mount
LMS-200	Boom base & 14" column (same as used on the LMS-100 complete stand)
LMS-200B	Extra Weight for LMS-200 boom stand
LMS-200-24	Boom stand base & 24" column
LMS-300	Articulating boom arm has a double jointed fold away design to save space at the workstation and does not have a rear protrusion like the rigid boom arms have. It is made to fit any of the column assemblies on this page. When measured from the center of column to center of "field of view" of a stereoscope, the horizontal arm has a 24 1/2" reach. This arm is designed to hold a bonder style focus mount with a 5/8" diameter post mount.

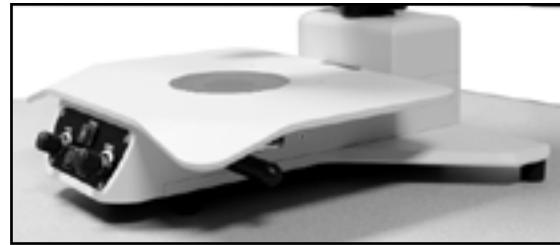
LEEDS

Product Catalog
 1-800-444-5333 | 763.546.8575 | Fax: 763.546.4369
 sales@leedsmicro.com | www.leedsmicro.com

**LED Transillumination Base
Bright Field/Dark Field**



LMS-340LED bright field/dark field base shown with a stereo body and LMS-EHR2 ergo riser.



LMS-340LED bright field/dark field LED transillumination base



Leeds LMS-340LED bright field/dark field, transillumination LED base. Bright field/dark field selection is done by a slide control. The glass stage plate is included. Base has integral power supply for LMS-LEDS spot illuminator. When purchasing LMS-LEDS spot illuminator to use with LMS-340LED base, the LMS-LEDS-3 adapter will be required.



LMS-340LED shown with LMSLEDS-3 required adapter (includes post mount, flexible arm adapter to hold LMS-LEDS Leeds LED Spot illuminator.

Order Product Number

LMS-340LED	BF/DF transillumination LED base
LPI-S-0204	400mm pillar
LMS-SZX-R	Drop prevention collar
LMS-EHR2	Ergo head riser - (Call for Availability)
LMS-LEDS	Leeds LED Spot Illuminator
LMS-LEDS-3	Adapter for LMS-340LED

Can also be used with other manufacturers stereo microscopes.

LEEDS

Product Catalog

1-800-444-5333 | 763.546.8575 | Fax: 763.546.4369
sales@leedsmicro.com | www.leedsmicro.com

LED Transmitted Light Base

LMS-225ZEPLT Top mounting plate required if using base with microscope brands other than Olympus.



LMS-225LEDSL base



LMS-LEDS attaches here

LMS-225LEDSL shown with Olympus microscope.



LMS-LEDS-2 mounting adapter for Olympus



LMS-LEDS Leeds LED spot Illuminator

The LMS-225LEDSL self-contained tuck-under base is ideal for a clutter-free bench to workspace. This base can be customized to work Olympus and other brand microscopes. When purchasing base to work with a microscope brand other than Olympus, the base will require a LMS-225ZEPLT top mounting plate. The top mounting plate will need to be customized to fit your brand microscope.

The base has a dual power supply for two LED light sources; internal transmitted and reflected illumination (designed for Leeds' LMS-LEDS Spot illuminator). Both sources can be used at the same time and have their own light level control switches. When ordering an LMS-LEDS Spot illuminator, an adapter will be required to hold illuminator. For Olympus microscope, please order adapter LMS-LEDS-2. For other brand microscopes, please order adapter LMS-LEDS-4.

The LMS-225LEDSL uses a LED light with an adjustable intensity control for transmitted and reflected light, that fills the field with light at a zoom setting as low as .8x. The internal mirror can be rotated 360 degrees and has a sliding feature for an oblique lighting effect. The rotatable mirror has a mirrored surface on one side, and a grey metallic surface on the other side - which allows for a better diffused lighting on samples.

The base attaches with three screws and can be easily installed with a #1 cross point screwdriver.

The LMS-LEDS reflected LED spot lighting is powered with the LMS-225LEDSL base. This reflected LED spot lighting can also be a stand alone reflected light source if ordered as LMS-LEDSK, LED Spot Lighting Kit. This kit includes a weighted base, flex arm and power supply with dimmer control.

Order Product Number

LMS-225LEDSL	LED Transmitted Light Base W/Sliding Mirror for S22-ST Stand
LMS-225ZEPLT	Top Mounting Plate for LMS-225LED
LMS-LEDS	LED Spot Light only for LMS-225LED
LMS-LEDSK	LED Spot Light Kit, Including Base, Arm & Power Control
LMS-LEDS-2	Mounting adapter for Olympus S22-ST stand
LMS-LEDS-4	Mounting adapter for LMS-225LEDSL - Accu-Scope

LEEDS

Product Catalog

1-800-444-5333 | 763.546.8575 | Fax: 763.546.4369
sales@leedsmicro.com | www.leedsmicro.com

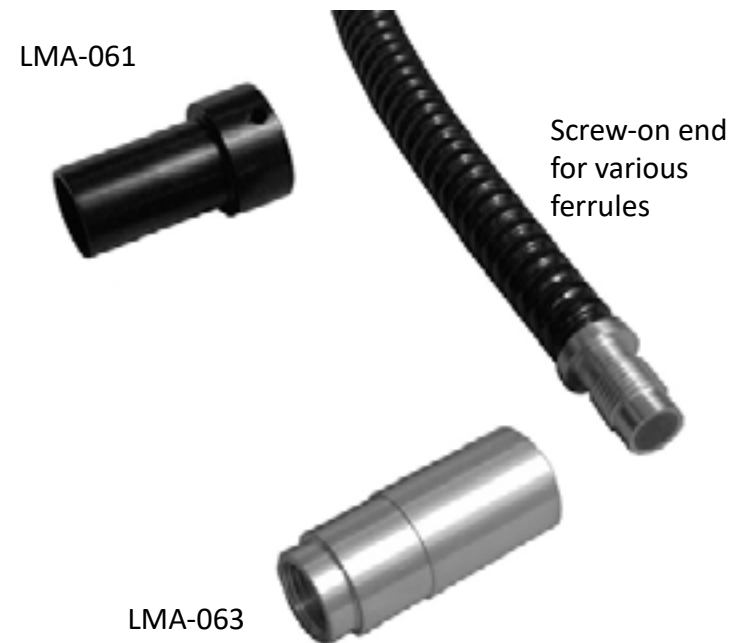
High Clearance Ringlight



The Leeds fiber optic ringlight maintains a full 4.2" working distance when mounted on a stereoscope. The narrow side profile doesn't interfere with hand or tool movement.

The Leeds ring light provides an even diffusion of light without hot spots or holes. The fiber optic bundle, which is available in various lengths, exits upward to stay out of the field of motion.

The ringlight mounts quickly with a screw-on coupler, and your choice of ferrule (please note that all three parts are necessary, and are ordered via separate part numbers).



Screw-on end for various ferrules

Order Product Number

- LRL-410 High clearance ringlight - 4-ft length
- LMA-060 Thread adapter

Choose a ferrule to fit your light source: (other ferrules are also available, please call for information).

- LMA-061 Ferrule for Dolan Jenner 180
- LMA-063 Ferrule for Fostec

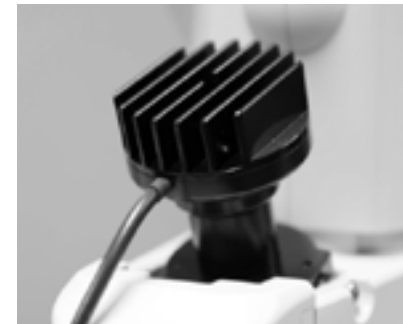
LEEDS

Product Catalog
 1-800-444-5333 | 763.546.8575 | Fax: 763.546.4369
 sales@leedsmicro.com | www.leedsmicro.com

LED Spot Illuminator and Kit



LMS-LEDS Leeds LED spot Illuminator



LMS-LEDS Leeds LED spot Illuminator

Leeds' LMS-LEDS LED spot illuminator is a powerful LED light source. The LMS-LEDS is versatile enough to work with either the LMS-225LEDSL transmitted light base or the LMS-340LED bright field/dark field LED transillumination base. When ordering the LED spot illuminator for either Leeds base, a specified adapter will be required. The LMS-LEDS-2 mounting adapter is required for the LMS-225LEDSL when using with Olympus SZ2-ST stand. The LMS-LEDS-3 mounting adapter is required for the LMS-340LED Olympus 32mm post. The LMS-LEDS-4 mounting adapter is required for the LMS-225LEDSL when using with Accu-scope microscope.

Leeds LMS-LEDSK LED Spot Illuminator kit includes the LED spot illuminator, a weighted base, arm, coupler and power supply.



LMS-LEDSK LED Spot Illuminator Kit

Order Product Number

- LMS-LEDS Leeds LED Spot Illuminator
- LMS-LEDSK LED Spot Illuminator kit includes Base, Arm, Coupler and power supply
- LMS-LEDS-2 Mounting adapter for Olympus SZ2-ST Stand
- LMS-LEDS-3 Mounting adapter for Olympus 32mm post
- LMS-LEDS-4 Mounting adapter for LMS-225LEDSL Accu-Scope



LMS-LEDS-2 mounting adapter for Olympus

LEEDS

Product Catalog
 1-800-444-5333 | 763.546.8575 | Fax: 763.546.4369
 sales@leedsmicro.com | www.leedsmicro.com

LED Cube Illuminator

The LMS-LEDFO Leeds LED cube illuminator is a fiber optic light source offering constant color temperature at all intensities with low maintenance, and no vibration.

The LED in the LMS-LEDFO is rated for over 20,000 hours, eliminating the cost of halogen bulb replacements. By having no fan, the LED cube illuminator requires minimal cleaning and does not induce vibration into optical systems. In addition, the LED cube has no thermal component to its light.

The Leeds LMS-LEDFO cube illuminator can be used with the 10mm diameter fiber optic light guides, as shown with the LRL-410 Leeds high clearance ringlight.

The optional pole clamp allows the LED cube illuminator to be attached to a boom stand offering no vibration interference and freeing up work space. The LED cube illuminator mounts quickly with a screw-on pole clamp.

Order Product Number

LMS-LEDFO 5700K LED Cube Illuminator



LMS-LEDFO cube illuminator shown on a
LRL-410
Leeds boom stand
LMA-060



LMS-LEDFO LED cube illuminator

LEEDS

Product Catalog

1-800-444-5333 | 763.546.8575 | Fax: 763.546.4369

sales@leedsmicro.com | www.leedsmicro.com

Fiber Optic Lamphouse Adapter



LBX-FOMET



LPI-U-UCLH
collector lens
(not included)

The LBX-FOMET allows for the use of fiber optic type lighting with reflected light illuminator on microscope stands.

Order Product Number:

LBX-FOMET Fiber optic lamphouse adapter

(The adapter is designed for a fiber optic bundle with a ferrule diameter of .393" x 1 ¼" length. The adapter requires usage of the LPI-U-UCLH collector lens assembly).

LPI-U-UCLH Collector lens assembly

LEEDS

Product Catalog

1-800-444-5333 | 763.546.8575 | Fax: 763.546.4369

sales@leedsmicro.com | www.leedsmicro.com

LCT-UPOL-SL Condenser with Polarizer on Slider



The LCT-UPOL-SL allows for a quick removal of the polarizer unit from the transmitted light raypath, which increases light intensity by 2/3 and extending the life of the polarizer (the 6-U310 is included with the LCT-UPOL-SL).

Order Product Number

LCT-UPOL-SL	6-U310 Condenser and Slider Modification
-------------	------------------------------------------

LEEDS

Product Catalog

1-800-444-5333 | 763.546.8575 | Fax: 763.546.4369
 sales@leedsmicro.com | www.leedsmicro.com

Universal Holders



LPI-UVCHLR



LPI-UVHLR back view

The LPI-UVCHLR Universal C-Shaped Holder has 90° of vertical to horizontal positioning range. The 360° rotatable chuck can hold a wire through the chuck that has a diameter of .010" to .170". The LPI-UVCHLR can also hold an item as large as 1" diameter in the chuck. The LPI-UVCHLB base has the ability to rotate 360° for optimal viewing.



LPI-UVHLB

The LPI-UVHLB Universal Holder has a 360° rotatable chuck that can hold a .010" to .170" diameter wire horizontally through the chuck. The LPI-UVHLB can also hold an item as large as 1" diameter in the chuck.

Order Product Number

LPI-UVCHLR	Universal C-Shaped Holder
LPI-UVHLB	Universal Holder, large bore

LEEDS

Product Catalog

1-800-444-5333 | 763.546.8575 | Fax: 763.546.4369
 sales@leedsmicro.com | www.leedsmicro.com

Anti-Vibration Pad

LBX-FOMET
LPI-U-UCLH
collector lens
(not included)



The LPI-EAR.25 Anti-vibration pad can be placed under a fiber optic light source to prevent the fiber optic light source from transferring vibrations to both the imaging table and the microscope.

This item can be custom cut to order. Please contact Leeds Technical Sales Representative to discuss customization options.

Order Product Number	
LPI-EAR.25	1/4" x 13 1/2" x 15" Anti-vibration pad (Call for Availability)

**Inclination Joint for
Bonder Focus Mount**



LMA-058

Unlike the stock Olympus S-02662 focus mounts, which drops into the post mount of the boom arm, the modified Leeds' LMA-058 inclination joint is mounted from the underside of the boom arm and is held securely in place with the provided drop prevention knob. The LMA-058 inclination joint enables the stereoscope to be held securely at an angle which can be moved by the operator to various tilted positions and will stay in position until manually moved. Tension of tilt movement can be adjusted or locked with a hex wrench. This inclination joint replaces the standard knuckle joint of the S-02662.



S-02662M shown

Order Product Number	
LMA-058	Inclination joint kit
S-02662M	W/LMA-058 Installed

Adjustable Mount the for the AOL8520 to LMS-300



LMS-300BIFO on an LMS300 Articulating Arm



LMS-300BIFO Mount



Order Product Number

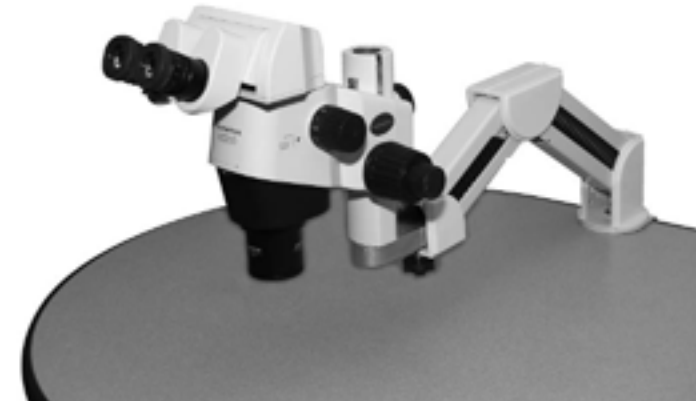
LMS-300 BIFO Mount for A08520 to LMS-300
(Call for Availability)

LEEDS

Product Catalog

1-800-444-5333 | 763.546.8575 | Fax: 763.546.4369
sales@leedsmicro.com | www.leedsmicro.com

Retractable Arm



Olympus SZX10 shown on the LMS-350SZX

The Leeds LMS-350SZ and LMS-350SZX retractable arms are designed to save work space by extending and retracting the microscope 14" from the back edge of the work surface, as well as housing the cords in the arm.

The LMS-350SZ and LMS-350SZX retractable arm can be mounted to any desktop surface using a C-clamp (2" max desk thickness, 2 3/4" minimum overhang needed for clamp).

Made of 14 gauge metal, the LMS-350SZ and LMS-350SZX Retractable Arm can support up to 88 lbs.

The LMS-350SZ Retractable Arm holds any standard 5/8" Bonder Style Mount and Focus arm, and the LMS-350SZX Extension Arm holds a stereoscope and focusing unit.



Olympus SZ51 and S-02662 shown on the LMS-350SZ

Order Product Number

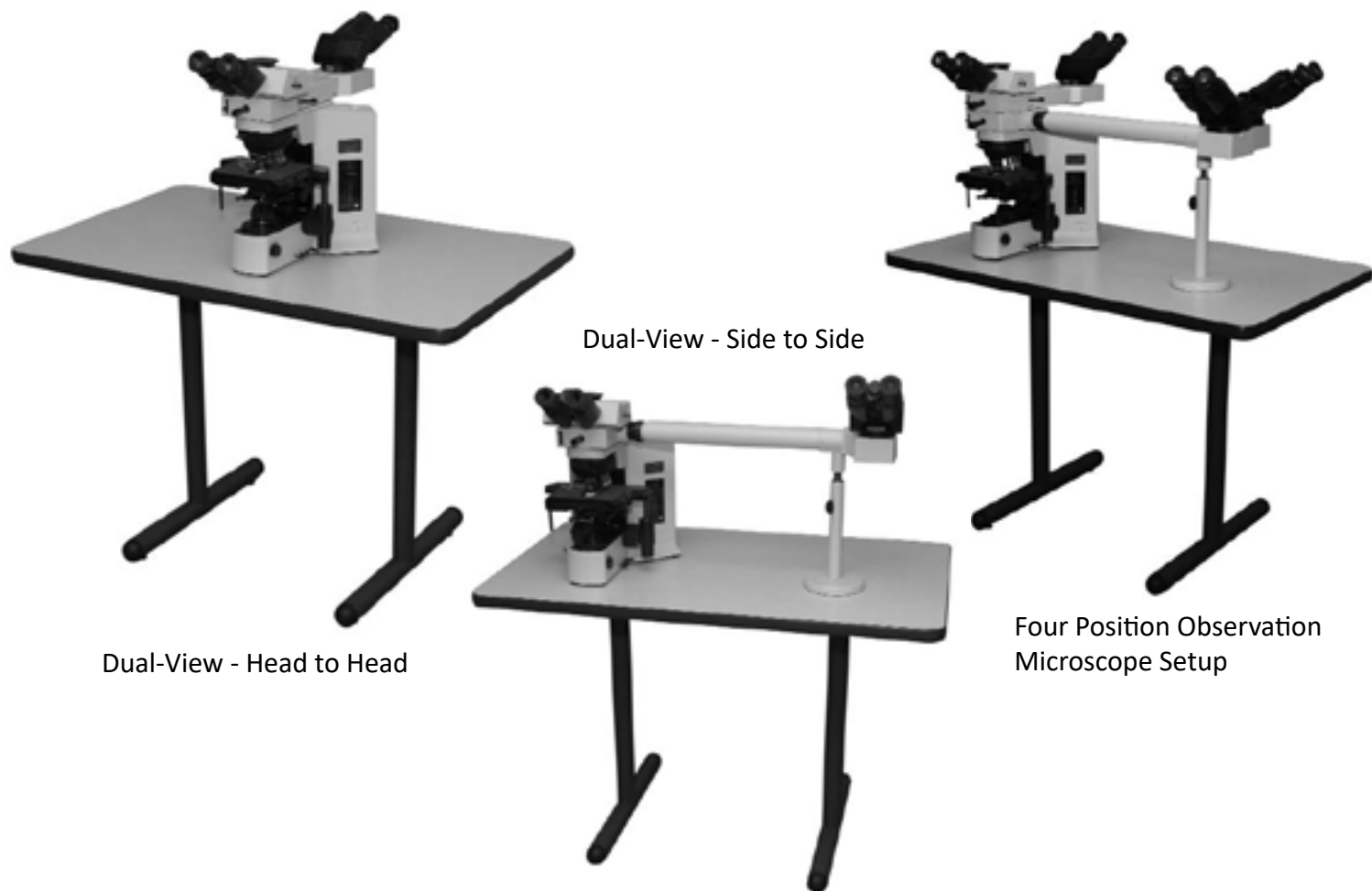
LMS-350SZ	Retractable Arm for the bonder mount
LMS-350SZX	Retractable Arm for the stereoscope (Call for Availability)

LEEDS

Product Catalog

1-800-444-5333 | 763.546.8575 | Fax: 763.546.4369
sales@leedsmicro.com | www.leedsmicro.com

Dual-View & Quad-View Tables



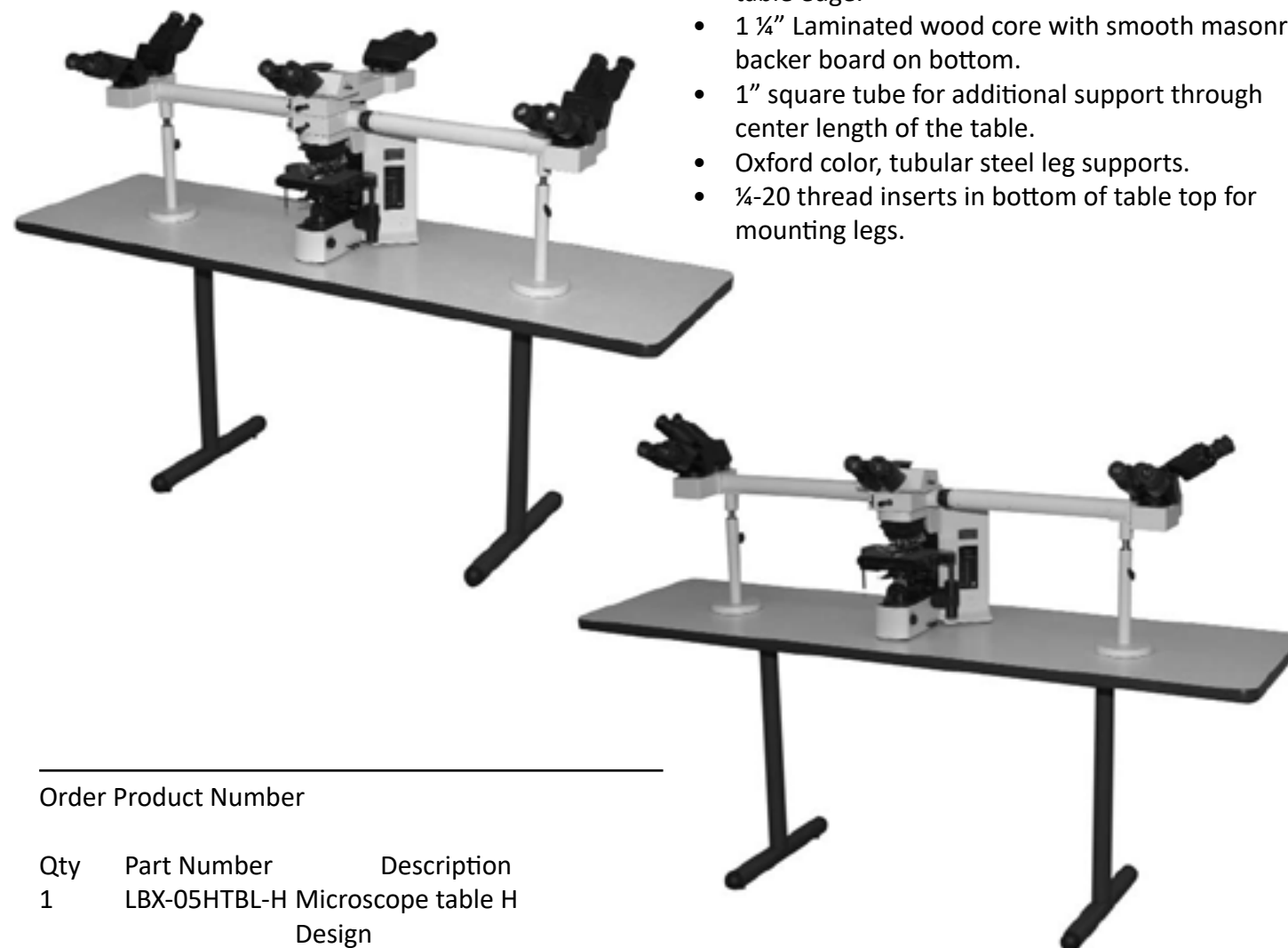
- All tables are manufactured with the following specifications:
- 26" x 42" table size with a 28 ¾" work surface height.
 - Wilsonart 4168-60-390 Gray Pampus color - chemical safe work surface.
 - Charcoal color rubber T-edge around outside of table edge.
 - 1 ¼" Laminated wood core with smooth masonry backer board on bottom.
 - Oxford color, tubular steel leg supports.
 - ¼"-20 thread inserts in bottom of table top for mounting legs.

Order Product Number		
Qty	Part Number	Description
1	LBX-02HTBL-1	26x42 Dual View scope table

LEEDS
 Product Catalog
 1-800-444-5333 | 763.546.8575 | Fax: 763.546.4369
 sales@leedsmicro.com | www.leedsmicro.com

Five & Six Position Observation Microscope Tables

LBX-05HTBL-H



- Both tables are manufactured with the following specifications:
- 22" x 72" table size with a 28 ¾" work surface height.
 - Wilsonart 4168-60-390 Gray Pampus color, chemical safe work surface.
 - Charcoal color rubber T-edge around outside of table edge.
 - 1 ¼" Laminated wood core with smooth masonry backer board on bottom.
 - 1" square tube for additional support through center length of the table.
 - Oxford color, tubular steel leg supports.
 - ¼"-20 thread inserts in bottom of table top for mounting legs.

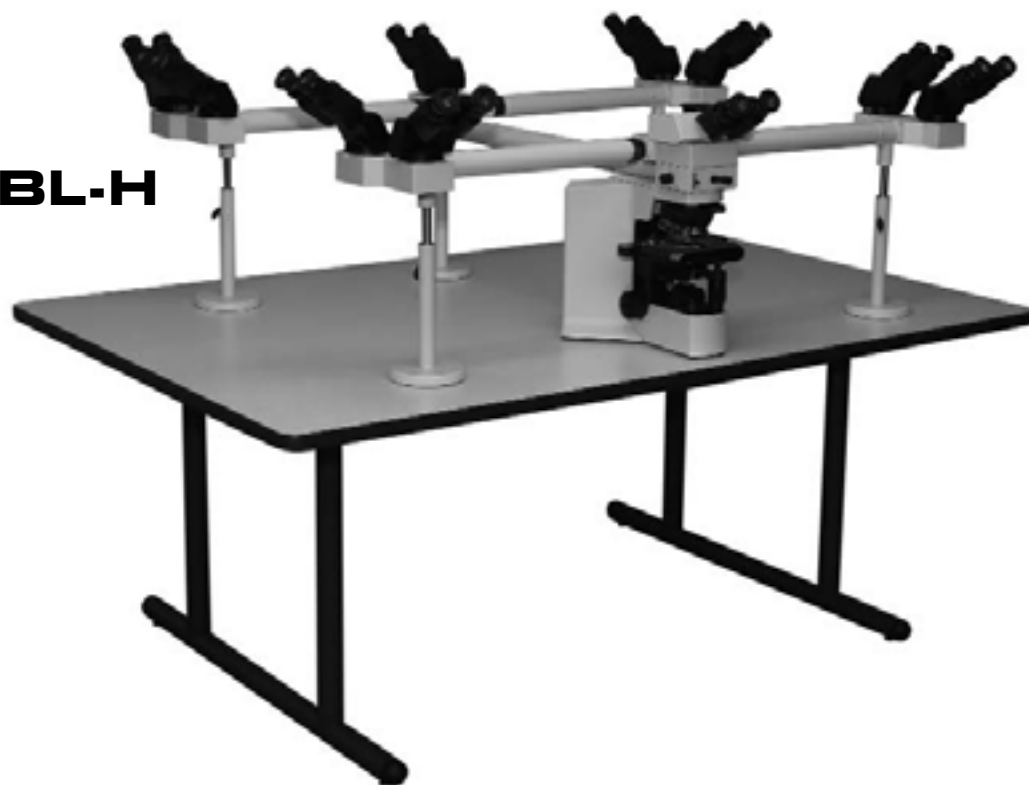
Order Product Number		
Qty	Part Number	Description
1	LBX-05HTBL-H	Microscope table H Design

LEEDS
 Product Catalog
 1-800-444-5333 | 763.546.8575 | Fax: 763.546.4369
 sales@leedsmicro.com | www.leedsmicro.com

**Ten Position Observation
Microscope Setup - H-Layout**

LBX-10HTBL-H

48" x 72" Table
42" Twin-Legs
60" Cross Support Member



- 48" x 72" table size with a 28 3/4" work surface height.
- Wilsonart 4168-60-390 Gray Pampus color, chemical safe work surface.
- Charcoal color rubber T-edge around outside of table edge.
- 1 1/4" Laminated wood core with smooth masonry backer board on bottom.
- 1" square tube for additional support through center length of the table.
- Oxford color, tubular steel leg supports.
- 1/4"-20 thread inserts in bottom of table top for mounting legs.

Order Product Number

Leeds Custom Table Items Required

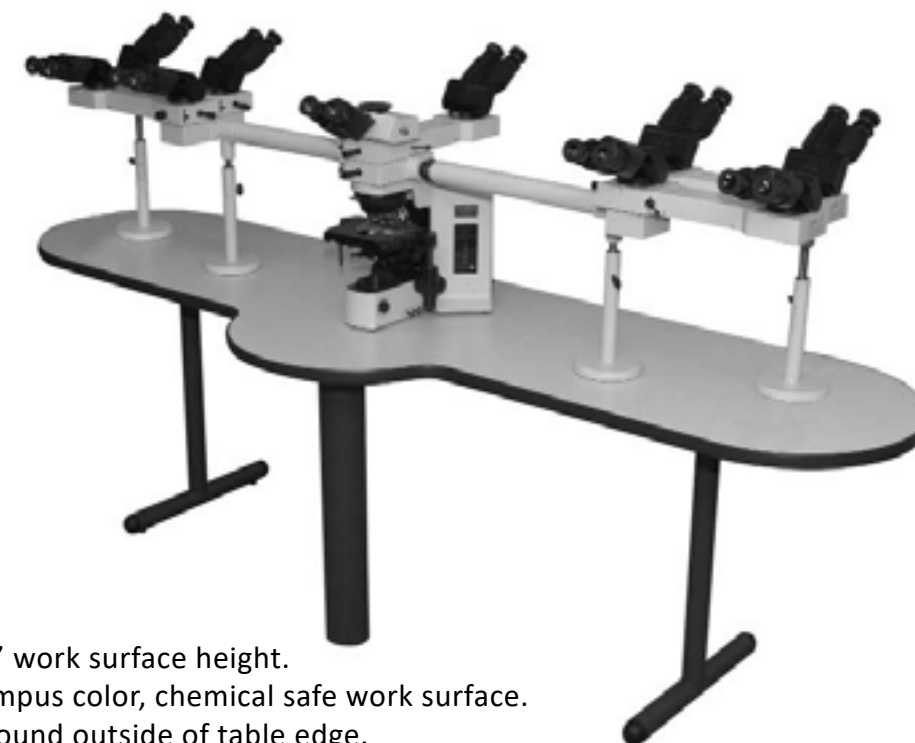
Qty	Part Number	Description
1	LBX-10HTBL-H	10 Headed Microscope Table H Design
1	Crating	Leeds Shipping Crate for Table

LEEDS
Product Catalog
1-800-444-5333 | 763.546.8575 | Fax: 763.546.4369
sales@leedsmicro.com | www.leedsmicro.com

**Ten Position Observation
Microscope Setup - Straight Layout**

LBX-10HTBL-B2

30" x 94" Table
20" T-Legs
4" Single Post Leg
60" Cross Support Member



- 30" x 94" table size with a 28 3/4" work surface height.
- Wilsonart 4168-60-390 Gray Pampus color, chemical safe work surface.
- Charcoal color rubber T-edge around outside of table edge.
- 1 1/4" Laminated wood core with smooth masonry backer board on bottom.
- 1" square tube for additional support through center length of the table.
- Oxford color, tubular steel leg supports.
- 1/4"-20 thread inserts in bottom of table top for mounting legs.

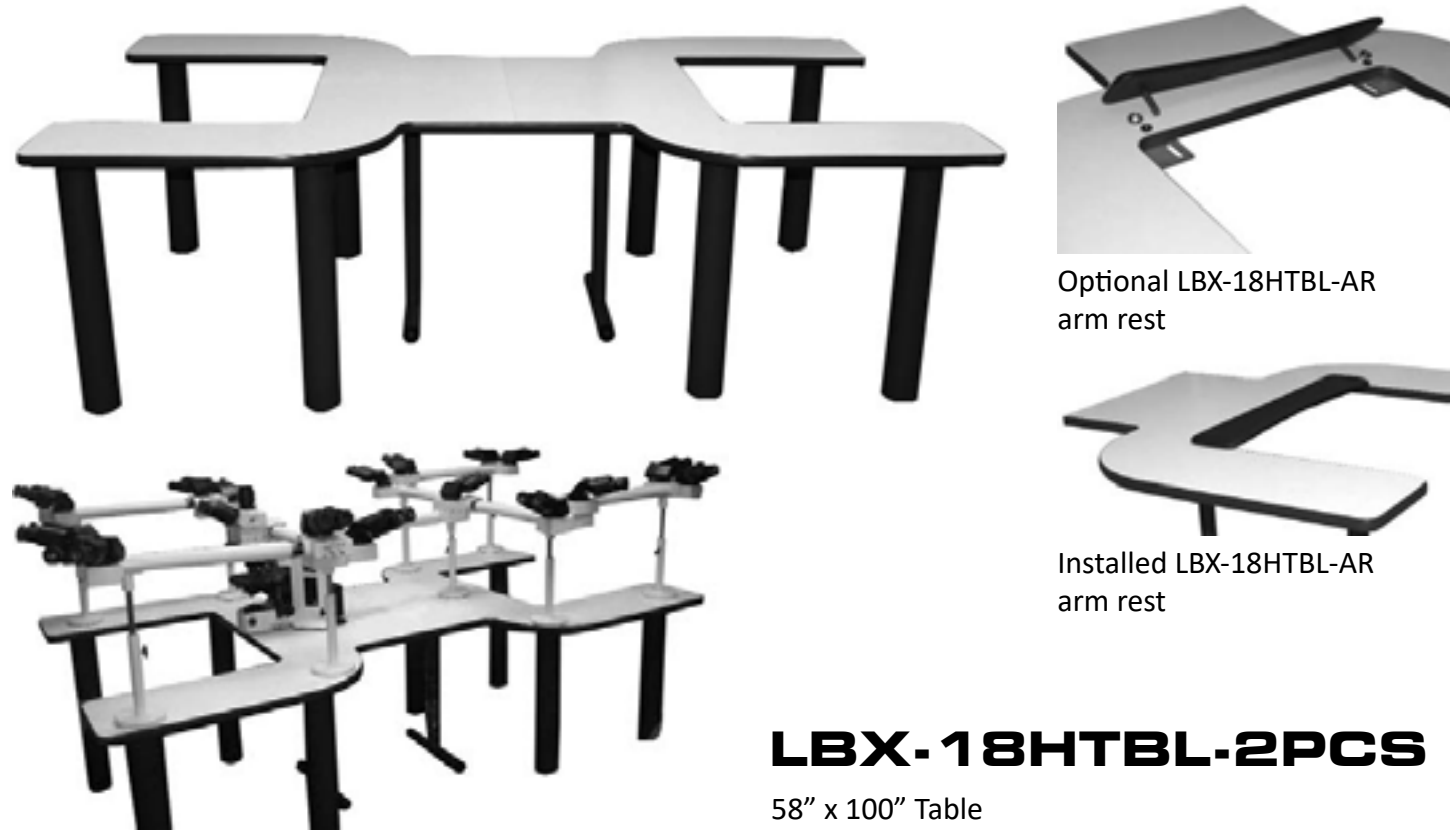
Order Product Number

Olympus Observation Tubes and Leeds Custom Items Required

Qty	Part Number	Description
1	LBX-10HTBL-B2	10 position Microscope Table, Straight design
2	LBX-B-0151	Telescope Support Base
2	LBX-153	Support Bracket
1	Crating	Leeds Shipping Crate for Table

LEEDS
Product Catalog
1-800-444-5333 | 763.546.8575 | Fax: 763.546.4369
sales@leedsmicro.com | www.leedsmicro.com

**Eighteen Position Observation
Microscope Setup**



Optional LBX-18HTBL-AR
arm rest

Installed LBX-18HTBL-AR
arm rest

LBX-18HTBL-2PCS

58" x 100" Table
22" T-Legs
4" Single Post Legs

- 58" x 100" table size with a 28 ¾" work surface height.
- Wilsonart 4168-60-390 Gray Pampus color, chemical safe work surface.
- Charcoal color rubber T-edge around outside of table edge.
- 1 ¼" Laminated wood core with smooth masonry backer board on bottom.
- Steel plate for additional support through center of the table.
- Oxford color, tubular steel leg supports.
- Table ships in two pieces.
- ¼"-20 thread inserts in bottom of table top for mounting legs.

Order Product Number

Leeds Custom Table Items Required

Qty	Part Number	Description
1	LBX-18HTBL-2PCS	18 Headed Microscope Table
1	Crating	Leeds Shipping Crate for Table

LEEDS

Product Catalog
1-800-444-5333 | 763.546.8575 | Fax: 763.546.4369
sales@leedsmicro.com | www.leedsmicro.com

26" x 38" Motorized Table



LCT-TBLB



The Leeds Trace Evidence Comparison Microscope show positioned on the LCT-TBLB

The LCT-TBLB motorized table is designed to adjust to various heights between 26" for a standard desk chair, or 43" for adjustable stools.

Order Product Number

LCT-TBLB 26" x 38" Motorized Table

LEEDS

Product Catalog
1-800-444-5333 | 763.546.8575 | Fax: 763.546.4369
sales@leedsmicro.com | www.leedsmicro.com